

# MTS HOIST-SYSTEM

Media Technical System

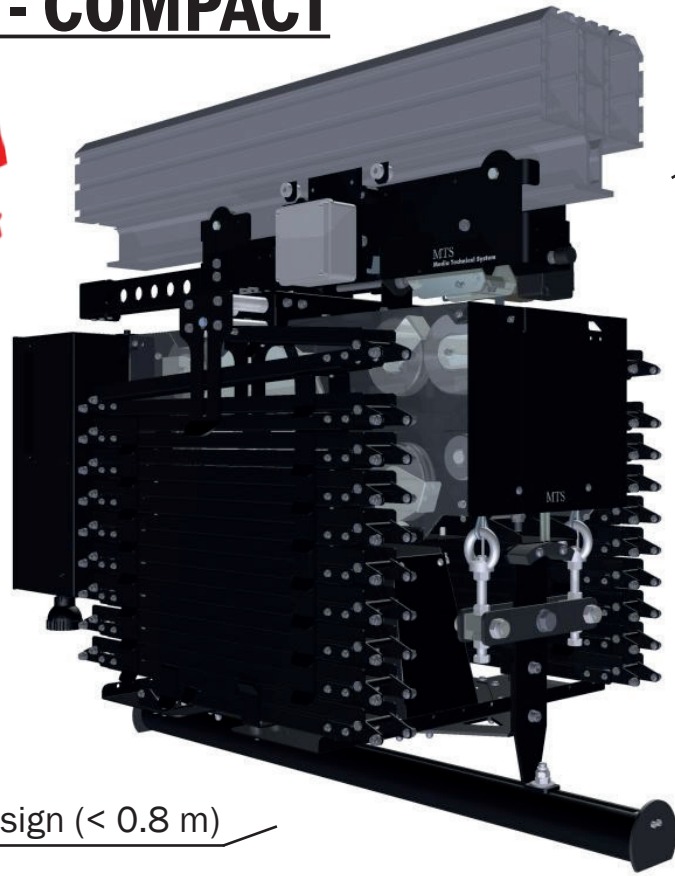
by *MovieTech*

... premium lighting suspension!

MTS - Motorized Self-Climbing Hoist SLH 1000 B - COMPACT

## SLH 1000 B - COMPACT

Ideal for theatre applications!



toolless maintenance;  
all maintenance points  
can be directly viewed

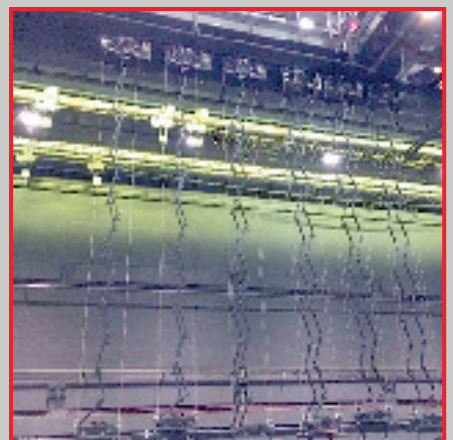
up to 11 m drop

customizable power  
and data supply

extremely compact design (< 0.8 m)

up to 150 kg payload

fully compliant with the strictest safety  
regulations DIN 56950-2 and DGUV V17



# MTS

Media Technical System

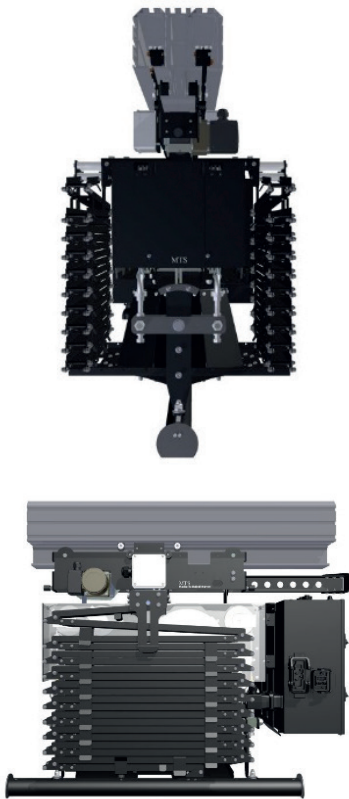
by **MovieTech**

# HOIST-SYSTEM

... premium lighting suspension!

MTS - Motorized Self-Climbing Hoist SLH 1000 B - COMPACT

## SLH 1000 B - COMPACT



- Transmission: dynamically self-locking drive
- Supporting cables: four cables, each  $d = 4\text{mm}$
- Motor: 3x 230/400V, 50Hz, 1,5kW, 300 Nm
- Motor protection: protected against thermal overload and IP 54
- Overload- and slack rope detection on each cable
- Dimensions: 1000x560x783 mm
- Load bar: standard: length 1m,  $d=48\text{mm}$  pipe, optional: MTS AS tube A and B
- Power and data circuit: upon request (direct, dimmed, DMX, Ethernet, video, audio, etc.)
- Upper attachment: closed steel profile, IPE adapter or trolley
- Additional: motor control unit to meet the specific requirements
- Control-options: MTS FCP 900 (wired or wireless), MTS RFS TC 4 (telecom mander), fully automated control system
- Safety standards: DGUV Vorschrift 17 (former BGV C1/ VBG 70) and DIN 56950-2 (former DIN 15560)



RFS TC 4

FCP 900



Version



Item number



Max. payload  
uniformly  
distributed



Closed height



Max. drop



Average speed

Version	Item number	Max. payload uniformly distributed	Closed height	Max. drop	Average speed
SLH 1000 B Compact – 9m	320.100	150 kg	~0,78 m	7 m	0,16 m/s
SLH 1000 B Compact – 11m	320.100	140 kg	~0,80 m	11 m	0,16 m/s
SLH 1000 B Compact – 13m	320.100	100 kg	~0,95 m	13 m	0,16 m/s

### MTS – Media Technical System



We – **MTS Media Technical System** – have now more than 20 years of experience in designing and manufacturing **premium quality lighting suspension** for stage and studio. Since 2006 we are part of the **MovieTech AG**.

Our goal is to manufacture every single product with the **highest possible quality** and to **over-fulfill our customer's expectations**. We are proud to call many of the major broadcasting companies all around the globe our customer-base.

We produce all our products order-related in our **optimized production facility** and thus meet the specific requirements of every individual project. In combination with their reliability our products **simplify the daily work** on stage and in the studio.

MovieTech AG | Martin-Kollar-Str. 9 | D-81829 München | Tel: +49 (0)89 43 68 91 3 | [info@movietech.de](mailto:info@movietech.de)

MovieTech Sagl. | Via Corti 5 | CH-6828 Balerna | Tel: +41 (0)916 83 06 06 | [k.shore@movietech.de](mailto:k.shore@movietech.de)

MTS – Media Technical System | Lochenice 215 | CZ-50302 Lochenice | Tel: +420 (0) 495 533 004 | [info@mts-germany.com](mailto:info@mts-germany.com)