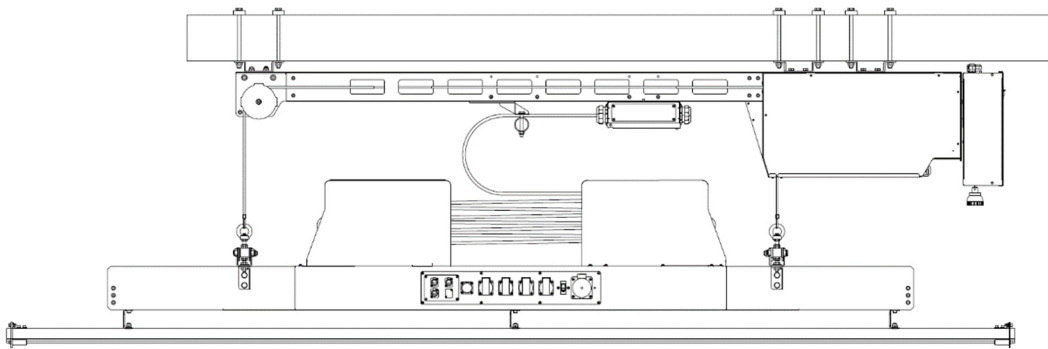
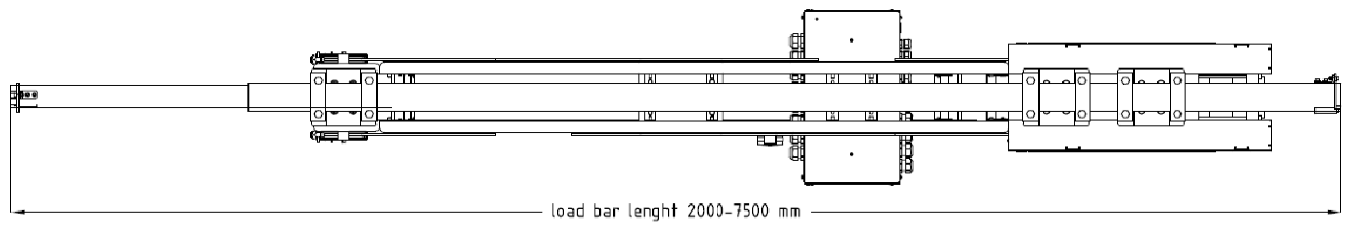
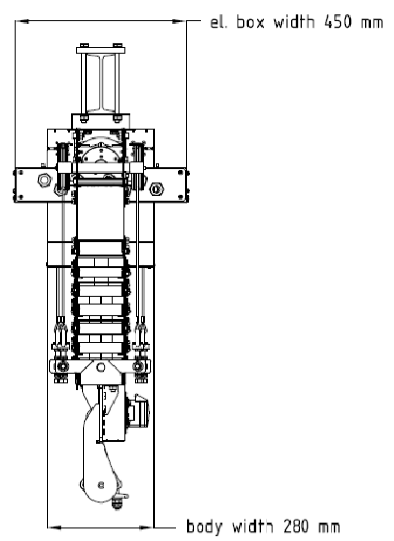
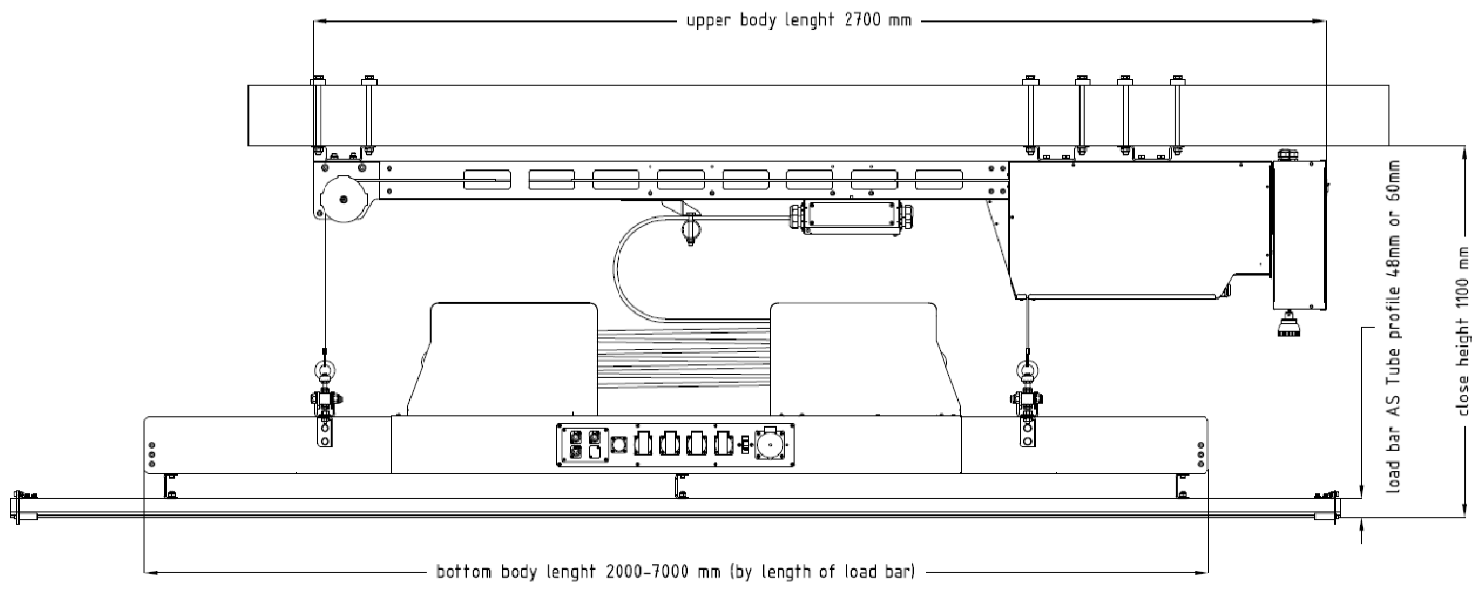


SLP 1000 B High Load Hoist



- Motor unit remains on ceiling level
- UP TO 13M TRAVEL
- Controlled via remote console



Specification

| | |
|-------------------------|--|
| Carrying rope | 4 x galvanized steel multicore ropes 4.5 mm diameter |
| Gear motor | 1,5kW, 3 phase AC supply, 3x 230V or 3x 400V, 50 Hz, max. torque: 450 Nm, transmission ratio 1: 99, self-locking and self-braking gearbox, permanent lubrication, thermo protection, protection class IP54 |
| Lifting speed (average) | 9 m/min |
| Safety features | overload, slack line detection independent on the each rope |
| Travel limit system | upper and lower working limit, upper and lower emergency limit |
| Flip flop cable guide | flat cable or cable scissors |
| Bottom load bar | alluminium profile AS Tube A Ø 60mm or AS Tube B Ø 48mm Steel pipe Ø 40 – 60mm on request |
| Socket options | 32A, 16A, Schuko, CEE, DMX, RJ45 Audio, Video or other on request |
| Possibility of fixing | fixing to I, U, C profiles, box, fixing with clamps, profiled systems from external suppliers, fixing to threaded rods |
| Control | Remote control via console |

Extension and load capacity overview

| Travel height | Closed height | Max. load | Self weight |
|---------------|---------------|-----------|-------------|
| 7 m | 0,9 m | 336 kg | 175 kg* |
| 9 m | 1,0 m | 312 kg | 185 kg* |
| 11 m | 1,1 m | 276 kg | 195 kg* |
| 13 m | 1,2 m | 252 kg | 205 kg* |

*depends on the configuration flat cable / cable scissors / type of load bar

